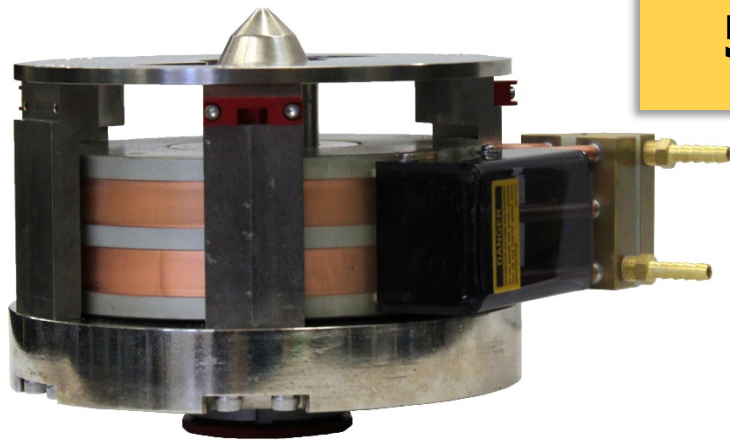
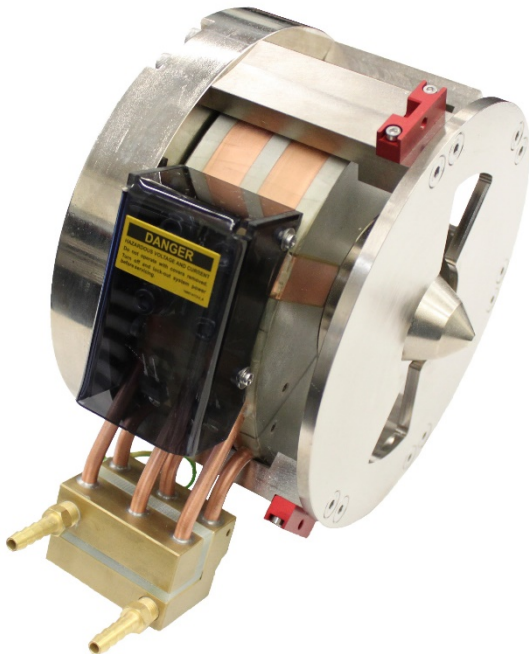


5207 Electromagnet



OVERVIEW

The 5207 is a system primarily designed for integration into probe stations for MRAM test. The location of the pole face can be adjusted precisely to be located relative to the DUT with high accuracy.



Features

- Up to 2T Projected Field
- Small and Modest Weight
- Any Mounting Orientation
- Fast Cycle Times

Applications

- MRAM Test
- Spintronic Devices
- Hall Effect Studies
- Magneto-Optical Studies

Revised March 26, 2020

GMW Associates

🌐 www.gmw.com

✉ sales@gmw.com

☎ +1-650-802-8292

📍 955 Industrial Road
San Carlos, California, USA

Model 5207 General Specifications

Mechanical

Dimensions	196mm Main Diameter, 122mm from top plane to bottom plane 194mm from top of eye bolt to pole face. 160mm from red disc to pole face (eye bolt removed)
Weight	20kg
Standard Pole Face Diameter	5mm

Coils

Resistance (20°C)	0.730Ω
Max. Resistance (65°C)	0.888Ω
Low Current Inductance	0.104H
High Current Inductance	0.07H
Anticipate Max. Sinusoidal Frequency (1T)	10Hz

Air cooled in ambient 18°C

Max. Continuous Power	7A, 7V, 50W
Peak Power (Sinusoid)	10A, 9V, 90W
Peak Power (Triangle Wave)	12A, 11V, 1.1kW

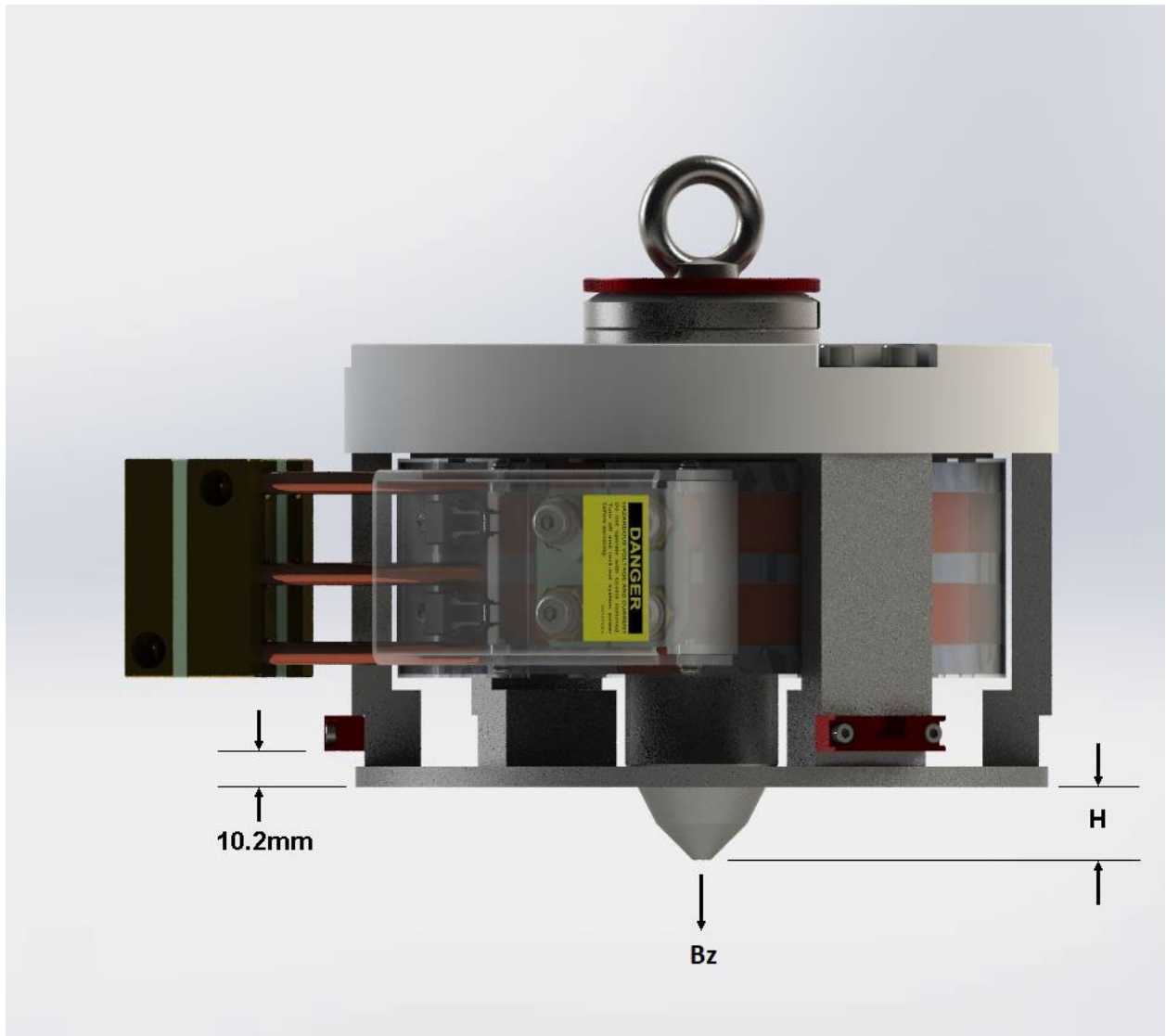
Water cooled at 2 Litre/min (supply 18°C @ 5 psi) 1/8"-1/4" hose barb fitting

Max. Continuous Power	35A, 31V, 1kW
Peak Power (Sinusoid)	50A, 45V, 2.2kW
Peak Power (Triangle Wave)	60A, 54V, 3.2kW

Safety

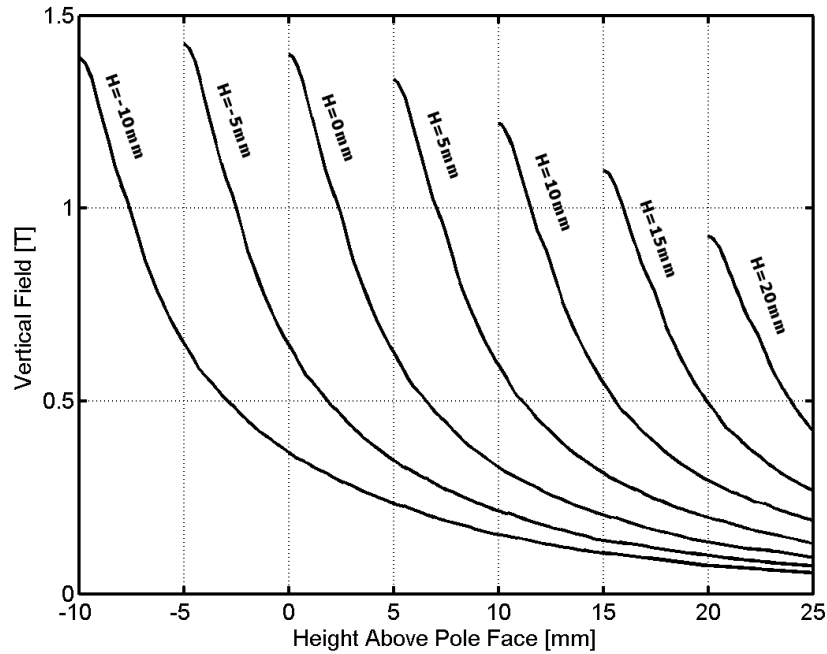
Over Temperature Interlock	Selco 802L-065 thermostat, mounted onto each cooling plate, wired in series. Contacts below 65°C
----------------------------	--

Mounting Details



Note: H may be adjusted from +20mm to -10mm.

Performance at 35A excitation (series connected)



Vertical B_z field above the pole face for pole positions varied from $H=-10\text{mm}$ to $+20\text{mm}$. Note that $H=0\text{mm}$ corresponds to the pole face being flush with the bottom plane of the magnet.

