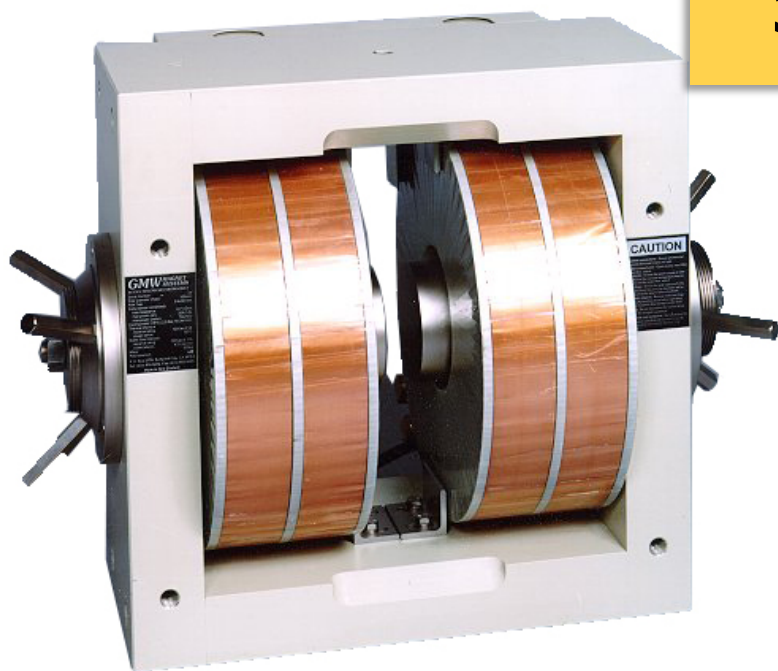


3472 Electromagnet



OVERVIEW

The **3472** Dipole Electromagnet accepts a range of pole caps with face diameters up to 100mm. The model 3472-50 is fitted with a 50Amp coil pair and has a coil gap of 115mm. The model 3472-70 is fitted with a 70Amp coil pair with enhanced cooling and has a coil gap of 82mm. The 3472-70 is recommended when high fields are required at large pole gaps or to achieve maximum field stability for spectroscopic or similar applications.

Features

- Modest Size
- 50 or 70Amp Versions
- Adjustable Pole Gap
- Wide Variety of Pole Caps
- Air or Water Cooled
- Any Mounting Orientation

Applications

- Hall Effect Studies
- Magneto-Optical Studies
- Laboratory Experiments
- Magnetic Separation Experiments
- Magnetic Alignment of Small Components
- Chemical Reaction Rate Studies

GMW Associates



www.gmw.com



sales@gmw.com



+1-650-802-8292



955 Industrial Road
San Carlos, California, USA

Model 3472 General Specifications

Mechanical

	3472-50	3472-70
Pole Diameter	100mm	
Standard Pole Caps	25, 50, 75, & 100mm	
Pole Gap	0 to 115mm (0 to 4.5")	0 to 82mm (0 to 3.2 ")
Inter-coil Gap	116mm (4.5")	82mm (3.2")
Dimensions (mm)	377mm W x 233mm D x 217mm H	
Weight	325kg	335kg

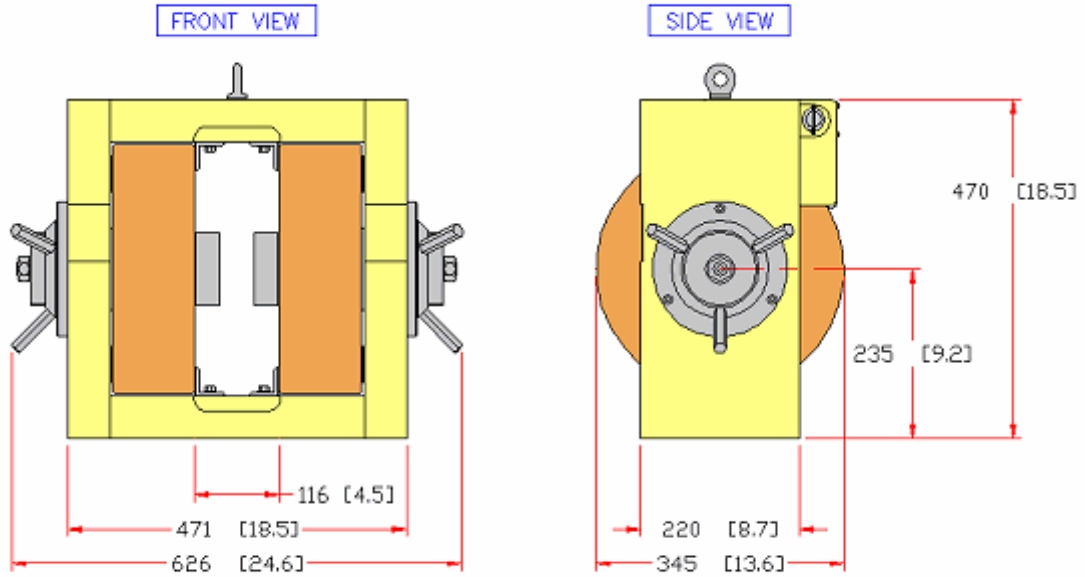
Coils (series connected)

Resistance (20°C)	0.59Ω	
Max Resistance	0.71Ω	
Low Current Inductance	0.55H	
High Current Inductance	0.26H	
Max Continuous Power (air)	20Amps, 14Volts (0.3kW)	
Max Continuous Power (water)	50Amps, 36Volts (1.8kW)	70Amps, 50Volts (3.5kW)
Water Cooling	3liters/min, 0.8bar (0.8US GPM, 12psid)	6liters/min, 2.0bar (1.6US GPM, 30psid)

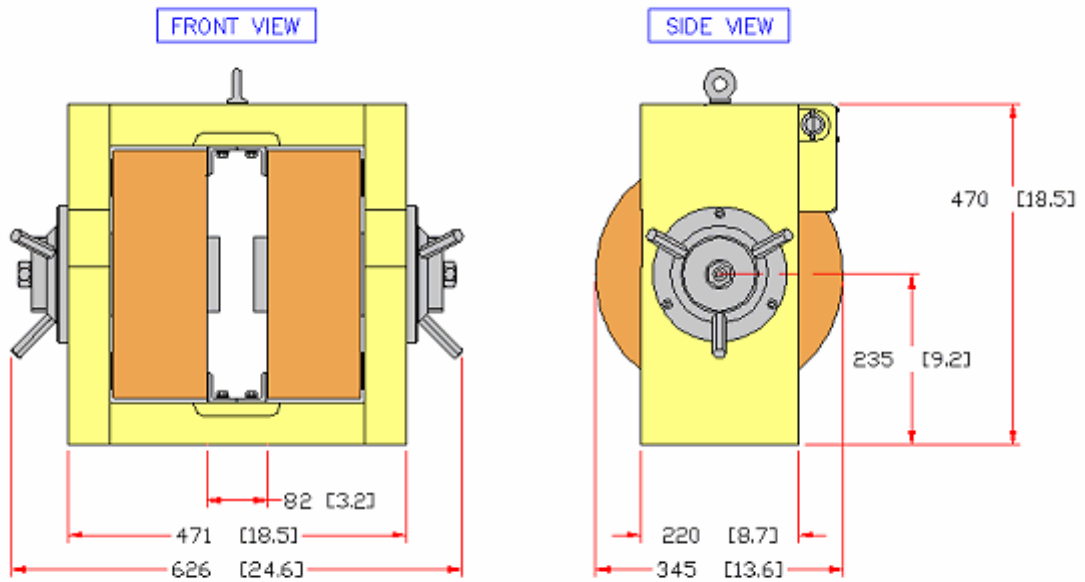
Safety

Overtemperature Interlock	Selco 802L-065 thermostat, mounted onto each cooling plate, wired in series. Contacts below 65°C	
Water Flow	Imo/Gems FS927 flow switch mounted on outlet side of water circuit. Contacts open with a flow of less than: 1.50GPM or 5.68liters/min	
Maximum Absolute Pressure:	10bar (150psid)	
	2.5liters/min	4.0liters/min
Diameter Sphere Containing 5G-surface ("fringe field")	800mm	

General Assembly – 3472-50



General Assembly – 3472-70



Performance

Fields at maximum current of 70 Amps

